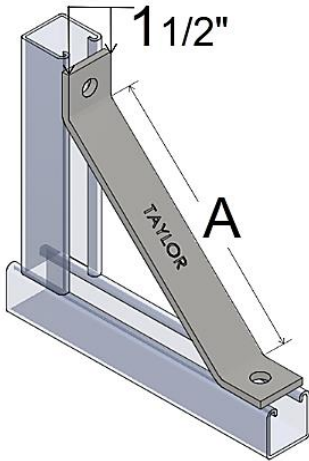


MISCELLANEOUS FITTINGS

Two-Hole 45° Knee Brace

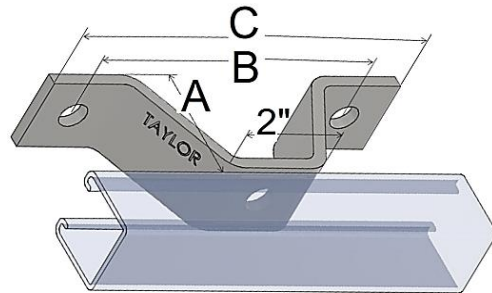
MF100



| PART No. | A (") | lbs/pc |
|----------|-------|--------|
| MF100-1 | 8 1/2 | 1.30 |
| MF100-2 | 12 | 1.76 |
| MF100-3 | 17 | 2.20 |
| MF100-4 | 25 | 2.85 |
| MF100-5 | 36 | 4.20 |

Wall Ladder Bracket

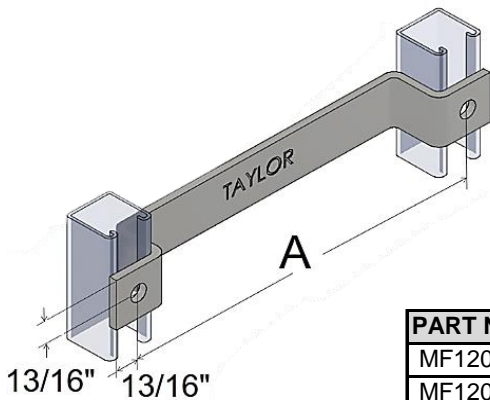
MF110



| PART No. | A (") | B (") | C (") | lbs/pc |
|----------|--------|-------|--------|--------|
| *MF110-1 | 2 3/8 | 6 | 7 1/2 | 1.10 |
| MF110-2 | 4 3/8 | 8 | 9 1/2 | 1.65 |
| *MF110-3 | 6 3/8 | 10 | 11 1/2 | 2.00 |
| MF110-4 | 8 3/8 | 12 | 13 1/2 | 2.55 |
| MF110-5 | 10 3/8 | 14 | 15 1/2 | 3.20 |

Series Ladder Rungs

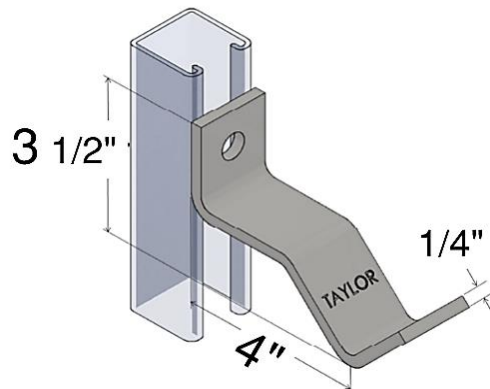
MF120



| PART No. | A (") | lbs/pc |
|----------|-------|--------|
| MF120-1 | 12 | 1.80 |
| MF120-2 | 15 | 2.05 |
| MF120-3 | 18 | 2.35 |

Pipe Support Bracket

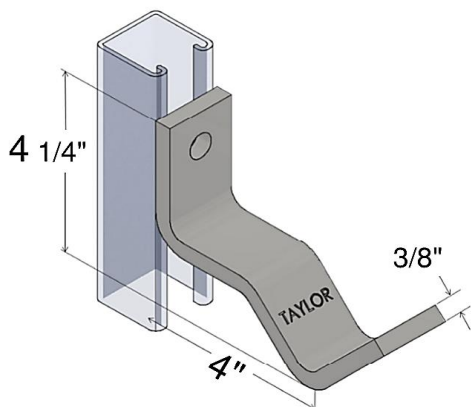
MF130



0.88lbs/pc

Pipe Support Bracket

MF131



1.32lbs/pc

FITTING SPECIFICATIONS (unless noted): Hole Size 9/16" Diameter; Hole Spacing 13/16" from end and 1 7/8" on center; Width 1 5/8"; Thickness 1/4".

FINISHES AVAILABLE: *Zinc Plated available where noted, Hot-Dipped Galvanized Stainless Steel (316SS).